

# Big size enclosure for immersion heater with built-in hexagon

Size(mm)	Volume(cm <sup>3</sup> )	Material	Protection grade		Model
125 × 125 × 138	1525	stainless steel	IP69K	IK7	<b>Y3S8</b>

### Suitable for

- Temperature sensor
- Immersion heater
- Finned heater
- Thermostat
- Level sensor
- Electronic board



### Links



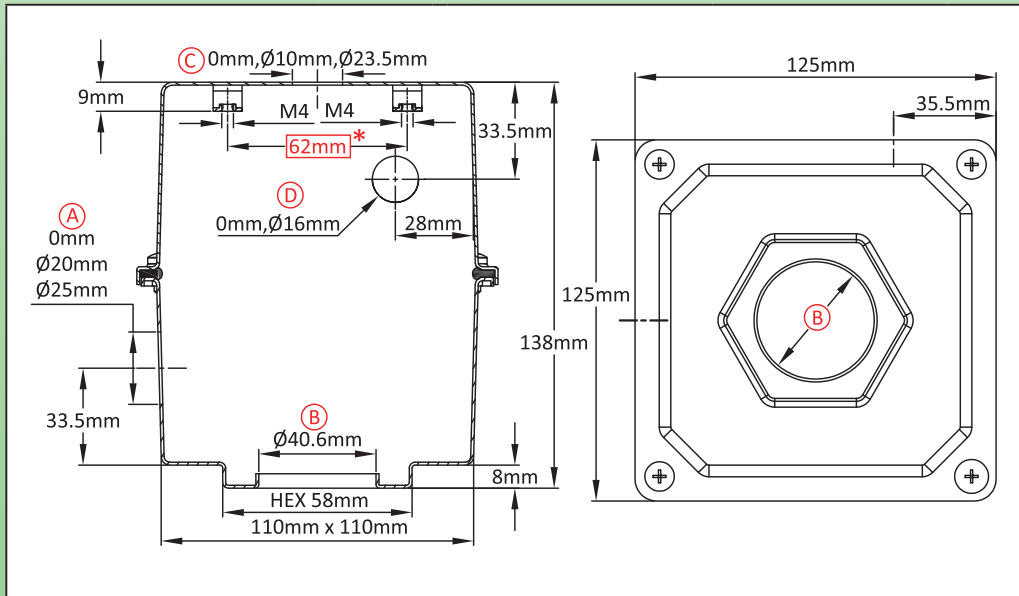
Page  
(.pdf)



Drawing 2D  
(.dwg)



Drawing 3D  
(.stp)



### Main references

(A) (mm)	(B) (mm)	(C) (mm)	(D) (mm)	304	316	(A) (mm)	(B) (mm)	(C) (mm)	(D) (mm)	304	316
0	40.6	0	0	Y3S84060000G1008	Y3S84060000G1009	20	40.6	10	16	Y3S8406A2C0G1008	Y3S8406A2C0G1009
0	40.6	0	16	Y3S84060116G1008	Y3S84060116G1009	20	40.6	23.5	0	Y3S8406D120G1008	Y3S8406D120G1009
0	40.6	10	0	Y3S8406A000G1008	Y3S8406A000G1009	20	40.6	23.5	16	Y3S8406D2C0G1008	Y3S8406D2C0G1009
0	40.6	10	16	Y3S8406A116G1008	Y3S8406A116G1009	25	40.6	0	0	Y3S84060125G1008	Y3S84060125G1009
0	40.6	23.5	0	Y3S8406D000G1008	Y3S8406D000G1009	25	40.6	0	16	Y3S840602C5G1008	Y3S840602C5G1009
0	40.6	23.5	16	Y3S8406D116G1008	Y3S8406D116G1009	25	40.6	10	0	Y3S8406A125G1008	Y3S8406A125G1009
20	40.6	0	0	Y3S84060120G1008	Y3S84060120G1009	25	40.6	10	16	Y3S8406A2C5G1008	Y3S8406A2C5G1009
20	40.6	0	16	Y3S840602C0G1008	Y3S840602C0G1009	25	40.6	23.5	0	Y3S8406D125G1008	Y3S8406D125G1009
20	40.6	10	0	Y3S8406A120G1008	Y3S8406A120G1009	25	40.6	23.5	16	Y3S8406D2C5G1008	Y3S8406D2C5G1009

Cable gland not included in these reference, consult us if you want them.

Red dimensions inside rectangular frames are used for accessories assembly.

Because of permanent improvement of our products, drawings, descriptions, features used on these data sheets are for guidance only and can be modified without prior advice

